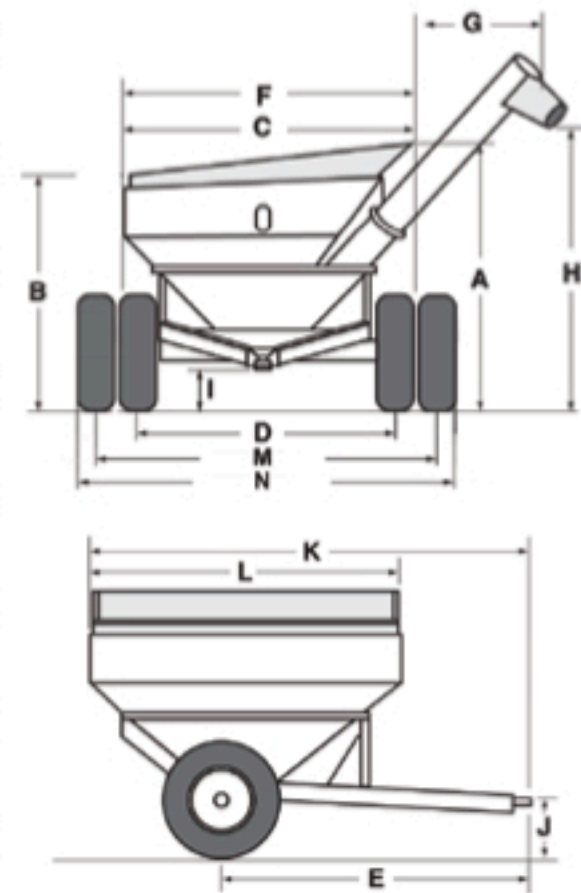




grain cart specifications:

Model	524	624	739	839	1039
Capacity*	500 bu.	600 bu.	750 bu.	850 bu.	1000+ bu.
Unloading time	290 bu./min.	290 bu./min.	400 bu./min.	400 bu./min.	400 bu./min.
Hitch, standard	Clevis	Single	Single	Single	Single
Approx. empty weight	6,100 lbs.	6,300 lbs.	8,740 lbs.	9,200 lbs.	12,330 lbs. (18,330 with tracks)
Est. loaded tongue weight	3,200 lbs.	3,600 lbs.	3,820 lbs.	5,200 lbs.	6,100 lbs.
Auger size	14"	14"	17"	17"	17"
Tires, standard	20.8 x 38 R-1	24.5 x 32 R-3	24.5 x 32 R-3	30.5 x 32 R-3	900/60 x 32 R-1
Spindle diameter**	2 ⁷ / ₈ "	3 ³ / ₄ "	3 ³ / ₄ "	3 ³ / ₄ "	3 ³ / ₄ "
PTO yoke, standard	1 ³ / ₈ " x 21 spline	1 ³ / ₈ " x 21 spline	1 ³ / ₄ " x 20 spline	1 ³ / ₄ " x 20 spline	1 ³ / ₄ " x 20 spline
Lights, standard	Tail/turn signals with 7-prong connector				
Horsepower required	130+	140+	150+	180+	200+
A	11	11' 6"	12' 4"	12' 8"	12' 6"
B	9' 8"	10' 2"	10' 10"	11' 1"	11' 6"
C	11' 10"	11' 10"	11' 11"	11' 11"	11' 11"
D	10'	10'	10'	10'	11' 4"
E	13' 9"	13' 9"	15' 3"	15' 3"	18' 3"
F	11' 9"	11' 11"	12' 4"	12' 7"	14' 4"
G	7' 3"	7' 3"	7' 6"	7' 6"	7' 11"
H	13' 2"	13' 2"	14' 6"	14' 7"	14' 11"
I	1' 6"	1' 6"	1' 7"	1' 6"	1' 4"
J	1' 8"	1' 8"	1' 8"	1' 8"	1' 6"
K	19' 5"	19' 5"	24' 6"	24' 6"	27' 7"
L	13' 9"	13' 9"	16'	16'	21' 6"
M	—	—	15'	15'	15'
N	—	—	16' 6"	16' 6"	16' 6"



24.5 x 32	16.50	19.50	24.80	27.50	—
20.8 x 38	18.76	—	24.80	—	—
23.1 x 26	17.20	—	—	—	—
24.5 x 32	16.49	19.29	24.79	27.57	—
30.5 x 32	13.62	16.05	20.59	22.89	—
35.5 x 32	—	—	13.56	15.36	18.52
900/60 x 32	—	—	18.32	20.81	25.09
1050/50 x 32	—	—	—	—	16.80
Duals 420/80 x 46	—	—	16.20	17.90	—
Duals 520/85 x 42	—	—	—	12.80	15.43
Duals 480/80 x 46	—	—	—	—	17.76
Tracks	—	—	—	—	10.05

The chart to the left illustrates the relative ground pressure calculated at the 3" soil penetration level. These charts are useful as a comparative guide for the various undercarriage options available by model.

* Capacity reflects #2 corn with 56# test weight

** Constructed of special-alloy steel for greatest strength